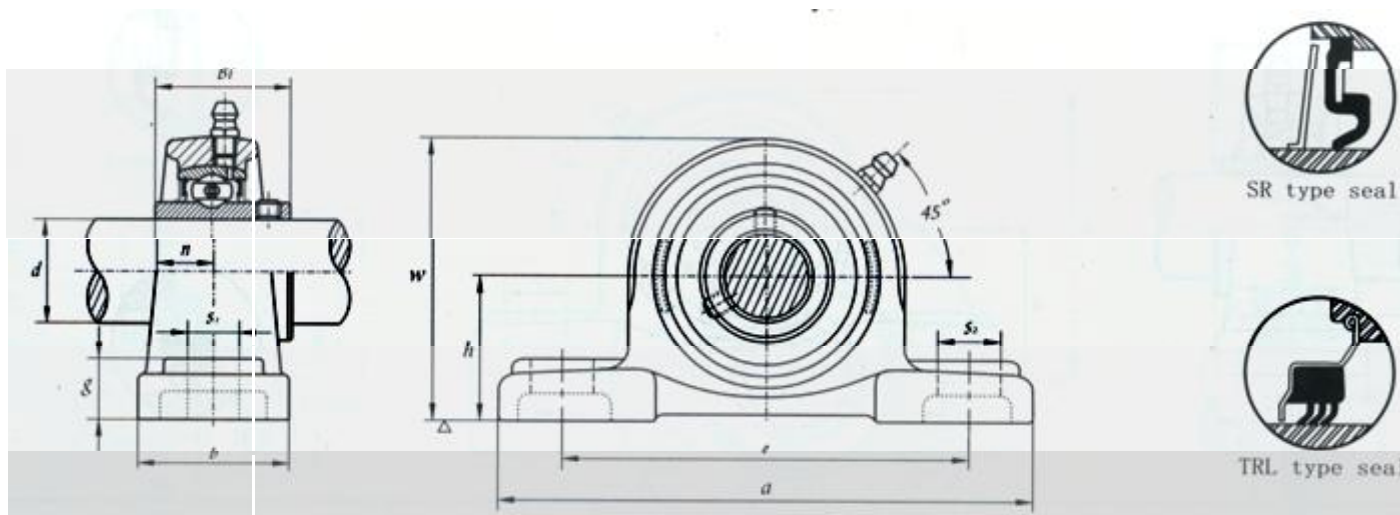


Pillow Blocks (Setscrew Type)



UCP200 (Normal duty)

Bearing No.	d		h	a	e	b	S ₁	B _i	n	g
	(mm)	(in.)								
UCP201	12		30.2	127	95	38	13	31	12.7	12
UCP201-8	12.7	1/2	30.2	127	95	38	13	31	12.7	12
UCP202	15		30.2	127	95	38	13	31	12.7	12
UCP202-10	15.875	5/8	30.2	127	95	38	13	31	12.7	12
UCP203	17		30.2	127	95	38	13	31	12.7	12
UCP203-11	17.463	11/16	30.2	127	95	38	13	31	12.7	12
UCP204-12	19.05	3/4	33.3	127	95	38	13	31	12.7	13
UCP204	20		33.3	127	95	38	13	31	12.7	13
UCP205-14	22.225	7/8	36.5	140	105	38	13	34	14.3	13
UCP205-15	23.813	15/16	36.5	140	105	38	13	34	14.3	13
UCP205	25		36.5	140	105	38	13	34	14.3	13
UCP205-16	25.4	1	36.5	140	105	38	13	34	14.3	13
UCP206-18	28.575	1 1/8	42.9	165	121	48	17	38.1	15.9	15

UCP206	30		42.9	165	121	48	17	38.1	15.9	15
UCP206-19	30.163	1 3/16	42.9	165	121	48	17	38.1	15.9	15
UCP206-20	31.75	1 1/4	42.9	165	121	48	17	38.1	15.9	15
UCP207-20	31.75	1 1/4	47.6	167	127	48	17	42.9	17.5	16
UCP207-21	33.338	1 5/16	47.6	167	127	48	17	42.9	17.5	16
UCP207- 22	34.925	1 3/8	47.6	167	127	48	17	42.9	17.5	16
UCP207	35		47.6	167	127	48	17	42.9	17.5	16
UCP207-23	36.513	1 7/16	47.6	167	127	48	17	42.9	17.5	16
UCP208-24	38.1	1 1/2	49.2	184	137	54	17	49.2	19	17
UCP208-25	39.688	1 9/16	49.2	184	137	54	17	49.2	19	17
UCP208	40		49.2	184	137	54	17	49.2	19	17
UCP209-26	41.275	1 5/8	54	190	146	54	17	49.2	19	17
UCP209-27	42.863	1 11/16	54	190	146	54	17	49.2	19	17
UCP209-28	44.45	1 3/4	54	190	146	54	17	49.2	19	17
UCP209	45		54	190	146	54	17	49.2	19	17
UCP210-30	47.625	1 7/8	57.2	206	159	60	20	51.6	19	19
UCP210-31	49.213	1 15/16	57.2	206	159	60	20	51.6	19	19
UCP210	50		57.2	206	159	60	20	51.6	19	19
UCP210-32	50.8	2	57.2	206	159	60	20	51.6	19	19
UCP211-32	50.8	2	63.5	219	171	60	20	55.6	22.2	19
UCP211-34	53.975	2 1/8	63.5	219	171	60	20	55.6	22.2	19
UCP211	55		63.5	219	171	60	20	55.6	22.2	19
UCP211-35	55.563	2 3/16	63.5	219	171	60	20	55.6	22.2	19
UCP212-36	57.15	2 1/4	69.8	241	184	70	20	65.1	25.4	22
UCP212	60		69.8	241	184	70	20	65.1	25.4	22
UCP212-38	60.325	2 3/8	69.8	241	184	70	20	65.1	25.4	22
UCP212-39	61.913	2 7/16	69.8	241	184	70	20	65.1	25.4	22
UCP213-40	63.5	2 1/2	76.2	265	203	70	25	65.1	25.4	25
UCP213	65		76.2	265	203	70	25	65.1	25.4	25
UCP214-44	69.85	2 3/4	79.4	266	210	72	25	74.6	30.2	28
UCP214	70		79.4	266	210	72	25	74.6	30.2	28
UCP215-47	74.613	2 15/16	82.6	275	217	74	25	77.8	33.3	28
UCP215	75		82.6	275	217	74	25	77.8	33.3	28
UCP215-48	76.2	3	82.6	275	217	74	25	77.8	33.3	28
UCP216-50	79.375	3 1/8	88.9	292	232	78	25	82.6	33.3	32
UCP216	80		88.9	292	232	78	25	82.6	33.3	32

UCP217-52	82.55	3 1/4	95.2	310	247	83	25	85.7	34.1	32
UCP217	85		95.2	310	247	83	25	85.7	34.1	32
UCP218-56	88.9	3 1/2	101.6	327	262	88	27	96	39.7	34
UCP218	90		101.6	327	262	88	27	96	39.7	34